

**HIGH EAVE (PARAPET)**

EI3010-WALL PANEL ABOVE

EI3030-MASONRY WALL

EI3050-WALL PANEL ABOVE & BELOW

EI3070-NON-STRUCTURAL PARAPET

EI3610-IMP WALL PANEL ABOVE

EI3650-IMP WALL PANEL ABOVE & BELOW

EI3670-NON-STRUCTURAL PARAPET - IMP

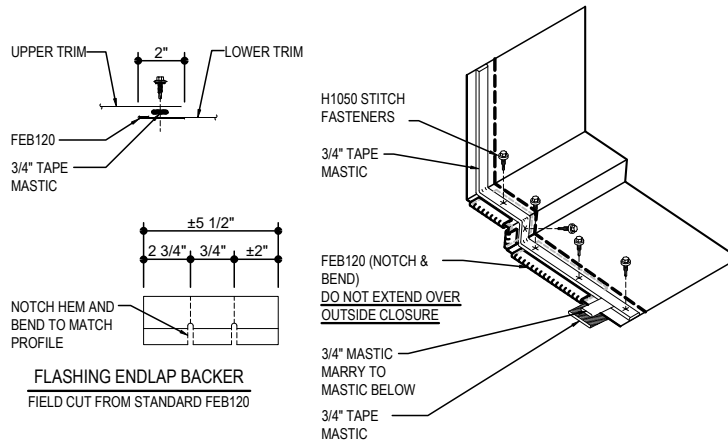
---

EI3010 - WALL PANEL ABOVE

[Download the DWG file by clicking here.](#)

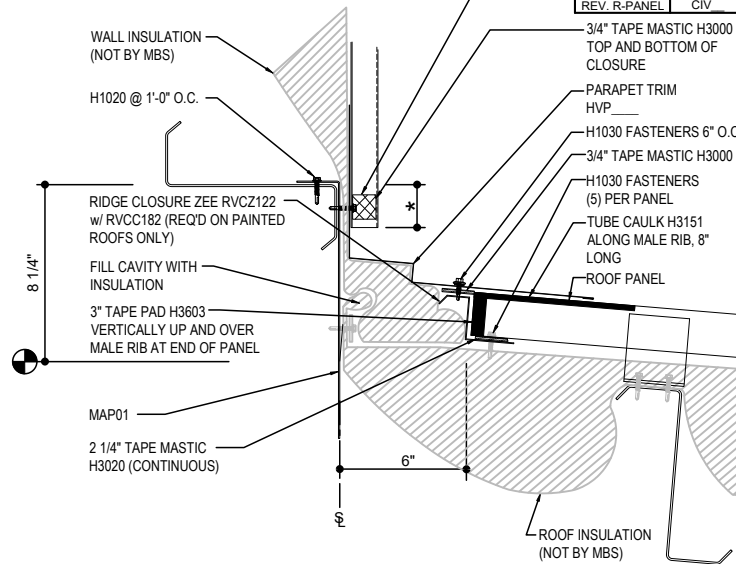
### HIGH EAVE LAP & FLASHING BACKER

SLIDE FIELD CUT SECTION FLASHING ENDLAP BACKER ONTO THE LOWER TRIM PIECE. PLACE TAPE MASTIC NEXT TO HEM OF THE BACKER (NOT ON TOP OF HEM). APPLY CONTINUOUS BEAD OF CAULK 1" FROM END OF TRIM DOWN PROFILE OF TRIM. FASTEN LAP WITH STITCH FASTENERS AND POP RIVETS AS SHOWN.



* 2" @ TALL CLIPS
3" @ SHORT CLIPS

WALL PANEL CLOSURE	
R-PANEL	CIR
A-PANEL	CIA
REV. R-PANEL	CIV



**ERECTOR NOTE:**

INSULATION TIE-OFF SHOWN IS ONE METHOD. MAY REQUIRE DIFFERENT METHOD BASED ON SEQUENCE. H1020 FASTENERS (PURLINS) & H1070 FASTENERS (JOISTS) WITH H2200 INSULATION WASHERS HAVE BEEN SUPPLIED 12" O.C. FOR INSULATION ATTACHMENT

### HIGH EAVE PARAPET DETAIL

HIGH EAVE PARAPET DETAIL w/ WALL PANEL ABOVE  
SEE WALL SHEETING ERECTION NOTES FOR WALL PANEL FASTENER LOCATIONS

**EI3010**

**Detailer Notes:**

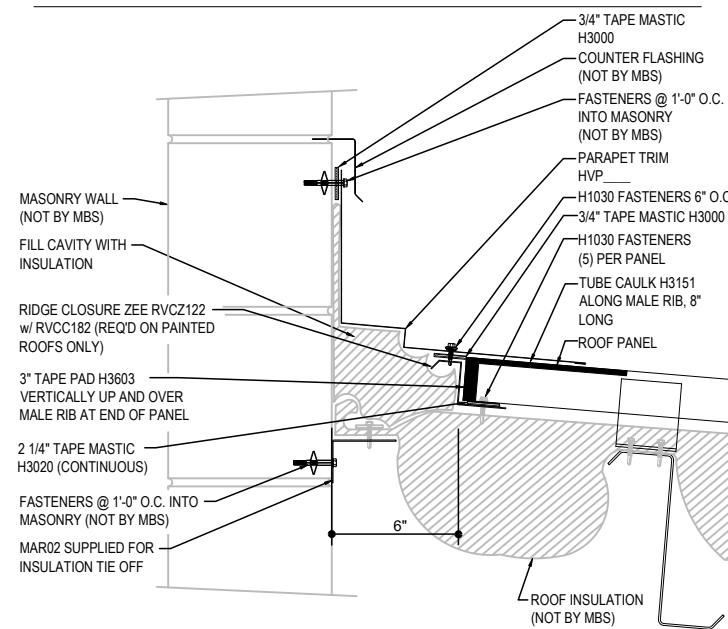
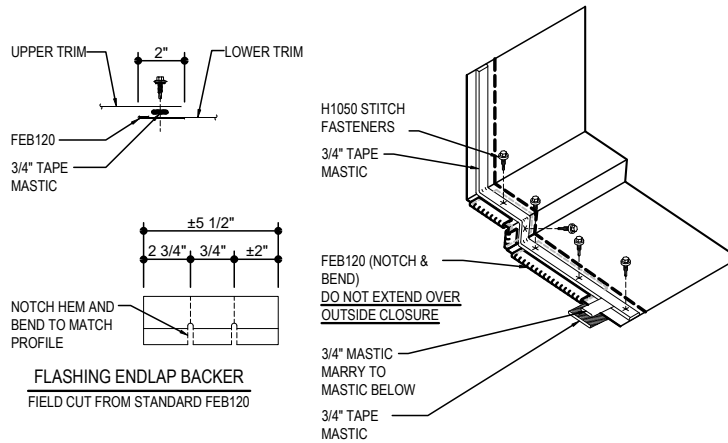
- 1) N/A

EI3030 - MASONRY WALL

[Download the DWG file by clicking here.](#)

### HIGH EAVE LAP & FLASHING BACKER

SLIDE FIELD CUT SECTION FLASHING ENDLAP BACKER ONTO THE LOWER TRIM PIECE. PLACE TAPE MASTIC NEXT TO HEM OF THE BACKER (NOT ON TOP OF HEM). APPLY CONTINUOUS BEAD OF CAULK 1" FROM END OF TRIM DOWN PROFILE OF TRIM. FASTEN LAP WITH STITCH FASTENERS AND POP RIVETS AS SHOWN.



**ERECTOR NOTE:**

INSULATION TIE-OFF SHOWN IS ONE METHOD. MAY REQUIRE DIFFERENT METHOD BASED ON SEQUENCE. H1020 FASTENERS (PURLINS) & H1070 FASTENERS (JOISTS) WITH H2200 INSULATION WASHERS HAVE BEEN SUPPLIED 12" O.C. FOR INSULATION ATTACHMENT

### HIGH EAVE PARAPET DETAIL

HIGH EAVE PARAPET DETAIL w/ MASONRY WALL

**EI3030**

**Detailer Notes:**

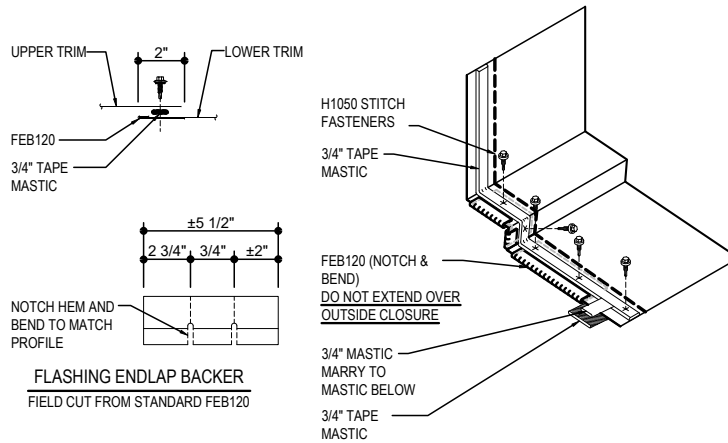
- 1) N/A

## EI3050 - WALL PANEL ABOVE & BELOW

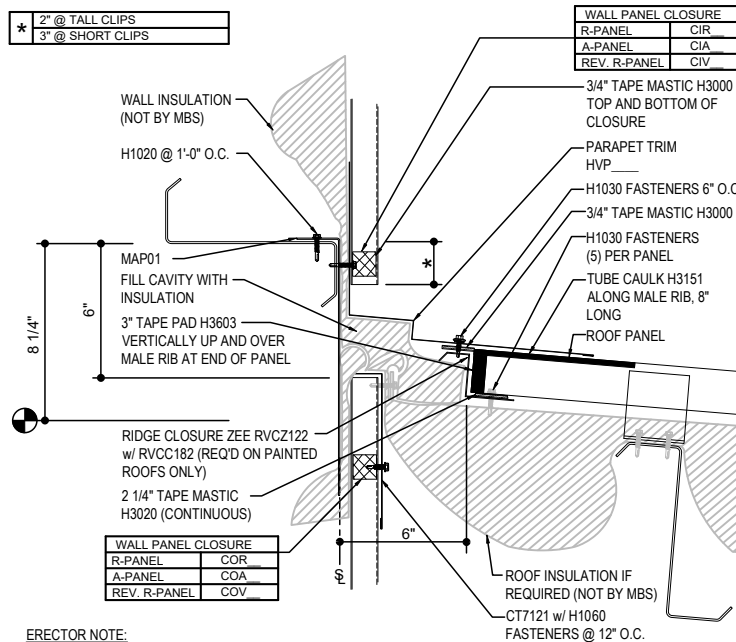
[Download the DWG file by clicking here.](#)

### HIGH EAVE LAP & FLASHING BACKER

SLIDE FIELD CUT SECTION FLASHING ENDLAP BACKER ONTO THE LOWER TRIM PIECE. PLACE TAPE MASTIC NEXT TO HEM OF THE BACKER (NOT ON TOP OF HEM). APPLY CONTINUOUS BEAD OF CAULK 1" FROM END OF TRIM DOWN PROFILE OF TRIM. FASTEN LAP WITH STITCH FASTENERS AND POP RIVETS AS SHOWN.



**FLASHING ENDLAP BACKER**  
FIELD CUT FROM STANDARD FEB120



**ERECTOR NOTE:**  
INSULATION TIE-OFF SHOWN IS ONE METHOD. MAY REQUIRE DIFFERENT METHOD BASED ON SEQUENCE. H1020 FASTENERS (PURLINS) & H1070 FASTENERS (JOISTS) WITH H2200 INSULATION WASHERS HAVE BEEN SUPPLIED 12" O.C. FOR INSULATION ATTACHMENT

### HIGH EAVE PARAPET DETAIL

HIGH EAVE PARAPET DETAIL w/ WALL PANEL ABOVE AND BELOW  
SEE WALL SHEETING ERECTION NOTES FOR WALL PANEL FASTENER LOCATIONS

**EI3050**

### Detailer Notes:

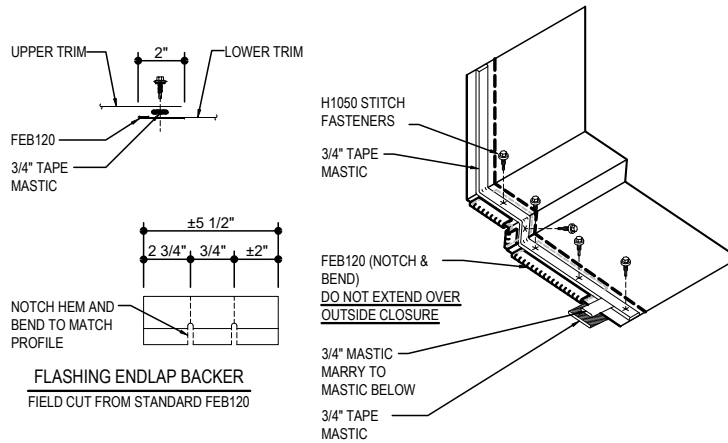
- 1) N/A

## EI3070 - NON-STRUCTURAL PARAPET

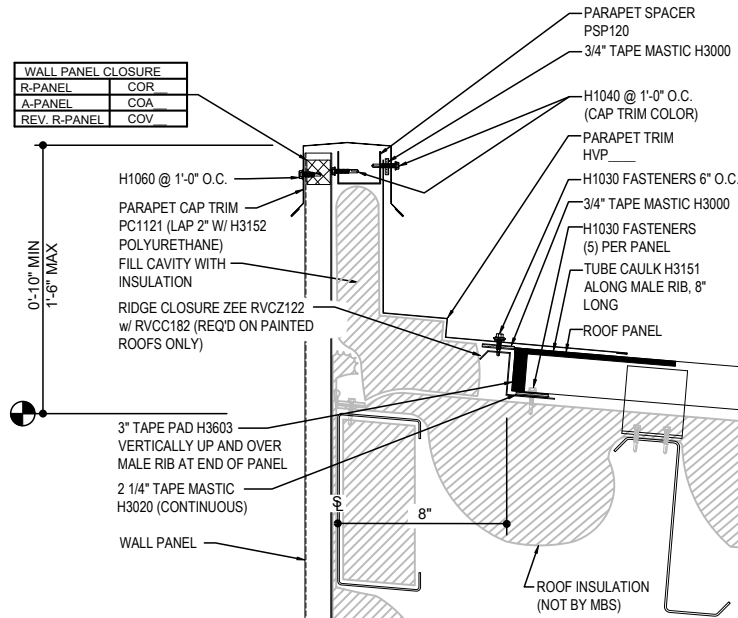
[Download the DWG file by clicking here.](#)

### HIGH EAVE LAP & FLASHING BACKER

SLIDE FIELD CUT SECTION FLASHING ENDLAP BACKER ONTO THE LOWER TRIM PIECE. PLACE TAPE MASTIC NEXT TO HEM OF THE BACKER (NOT ON TOP OF HEM). APPLY CONTINUOUS BEAD OF CAULK 1" FROM END OF TRIM DOWN PROFILE OF TRIM. FASTEN LAP WITH STITCH FASTENERS AND POP RIVETS AS SHOWN.



**FLASHING ENDLAP BACKER**  
FIELD CUT FROM STANDARD FEB120



**ERECTOR NOTE:**

INSULATION TIE-OFF SHOWN IS ONE METHOD. MAY REQUIRE DIFFERENT METHOD BASED ON SEQUENCE. H1020 FASTENERS (PURLINS) & H1070 FASTENERS (JOISTS) WITH H2200 INSULATION WASHERS HAVE BEEN SUPPLIED 12" O.C. FOR INSULATION ATTACHMENT

### HIGH EAVE NON-STRUCTURAL PARAPET

HIGH EAVE NON-STRUCTURAL PARAPET DETAIL w/ WALL PANEL  
SEE WALL SHEETING ERECTION NOTES FOR WALL PANEL FASTENER LOCATIONS

**EI3070**

**Detailer Notes:**

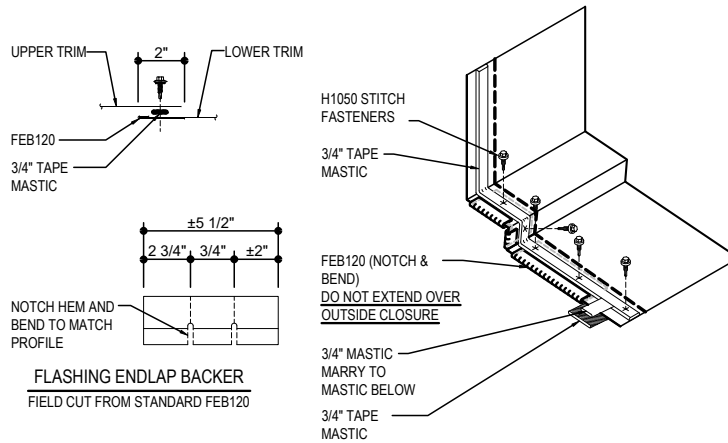
- 1) N/A

EI3610 - IMP WALL PANEL ABOVE

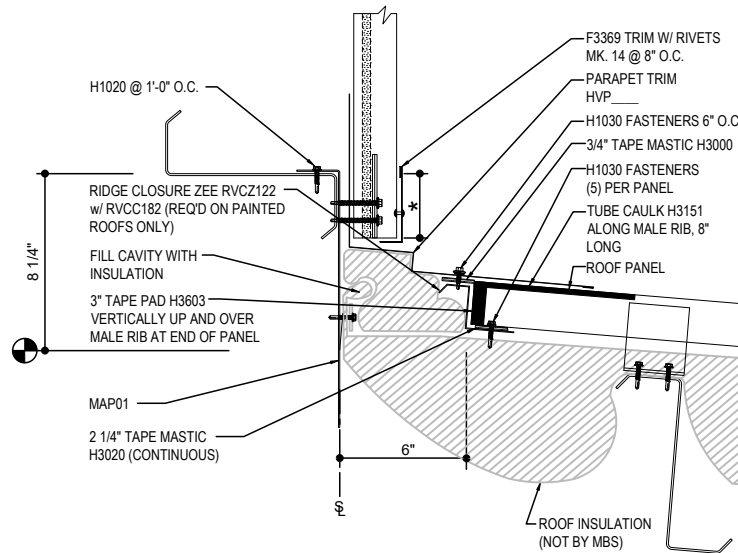
[Download the DWG file by clicking here.](#)

### HIGH EAVE LAP & FLASHING BACKER

SLIDE FIELD CUT SECTION FLASHING ENDLAP BACKER ONTO THE LOWER TRIM PIECE. PLACE TAPE MASTIC NEXT TO HEM OF THE BACKER (NOT ON TOP OF HEM). APPLY CONTINUOUS BEAD OF CAULK 1" FROM END OF TRIM DOWN PROFILE OF TRIM. FASTEN LAP WITH STITCH FASTENERS AND POP RIVETS AS SHOWN.



*	3" @ TALL CLIPS
	4" @ SHORT CLIPS



**ERECTOR NOTE:**

INSULATION TIE-OFF SHOWN IS ONE METHOD. MAY REQUIRE DIFFERENT METHOD BASED ON SEQUENCE. H1020 FASTENERS (PURLINS) & H1070 FASTENERS (JOISTS) WITH H2200 INSULATION WASHERS HAVE BEEN SUPPLIED 12" O.C. FOR INSULATION ATTACHMENT

### HIGH EAVE PARAPET DETAIL

HIGH EAVE PARAPET DETAIL w/ WALL PANEL ABOVE  
SEE WALL SHEETING ERECTION NOTES FOR WALL PANEL FASTENER LOCATIONS

EI3610

**Detailer Notes:**

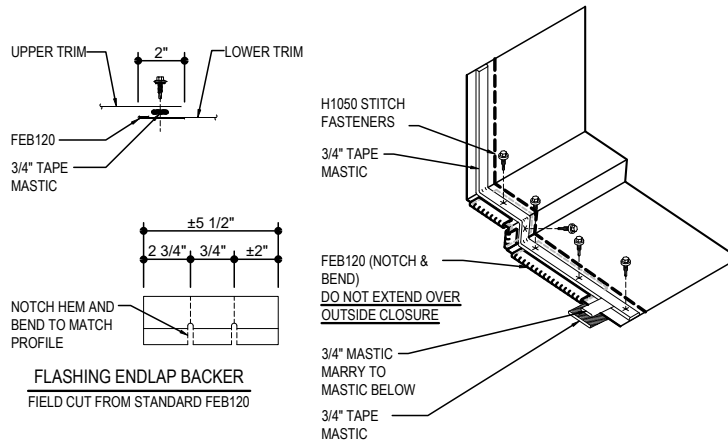
- 1) N/A

## EI3650 - IMP WALL PANEL ABOVE & BELOW

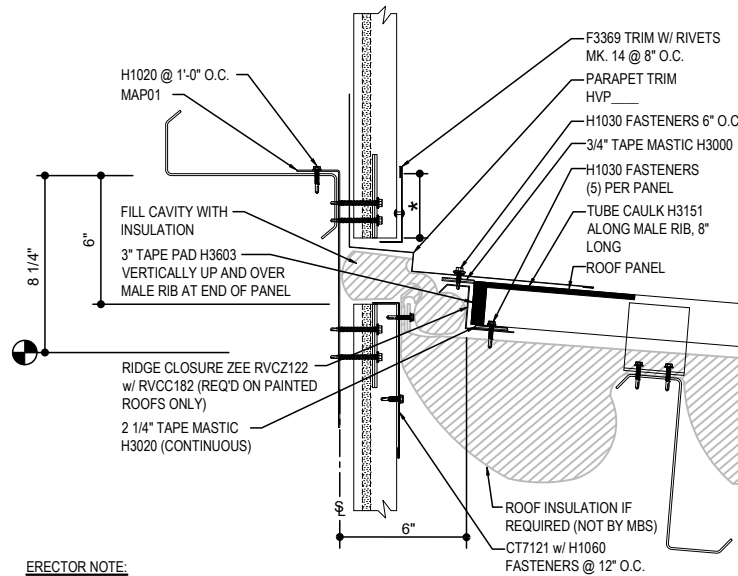
[Download the DWG file by clicking here.](#)

### HIGH EAVE LAP & FLASHING BACKER

SLIDE FIELD CUT SECTION FLASHING ENDLAP BACKER ONTO THE LOWER TRIM PIECE. PLACE TAPE MASTIC NEXT TO HEM OF THE BACKER (NOT ON TOP OF HEM). APPLY CONTINUOUS BEAD OF CAULK 1" FROM END OF TRIM DOWN PROFILE OF TRIM. FASTEN LAP WITH STITCH FASTENERS AND POP RIVETS AS SHOWN.



*	3" @ TALL CLIPS
	4" @ SHORT CLIPS



**ERECTOR NOTE:**  
INSULATION TIE-OFF SHOWN IS ONE METHOD. MAY REQUIRE DIFFERENT METHOD BASED ON SEQUENCE. H1020 FASTENERS (PURLINS) & H1070 FASTENERS (JOISTS) WITH H2200 INSULATION WASHERS HAVE BEEN SUPPLIED 12" O.C. FOR INSULATION ATTACHMENT

### HIGH EAVE PARAPET DETAIL

HIGH EAVE PARAPET DETAIL w/ WALL PANEL ABOVE AND BELOW  
SEE WALL SHEETING ERECTION NOTES FOR WALL PANEL FASTENER LOCATIONS

EI3650

### Detailer Notes:

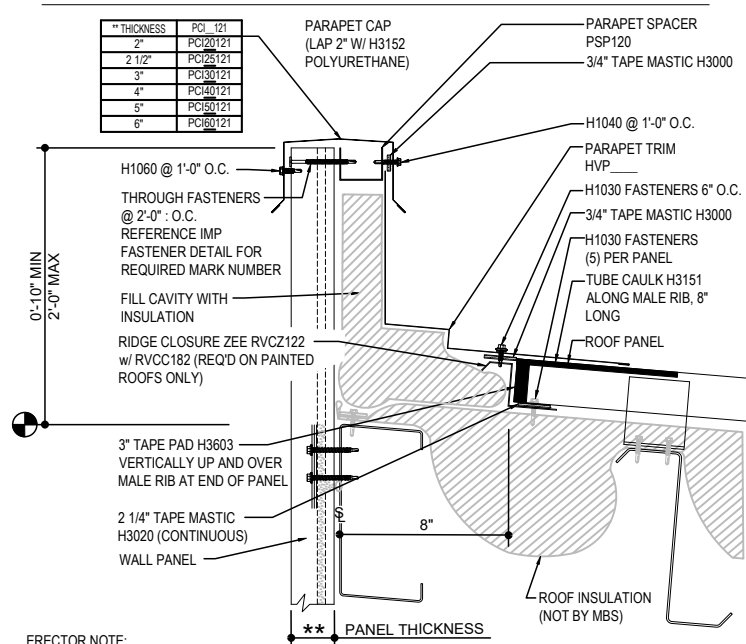
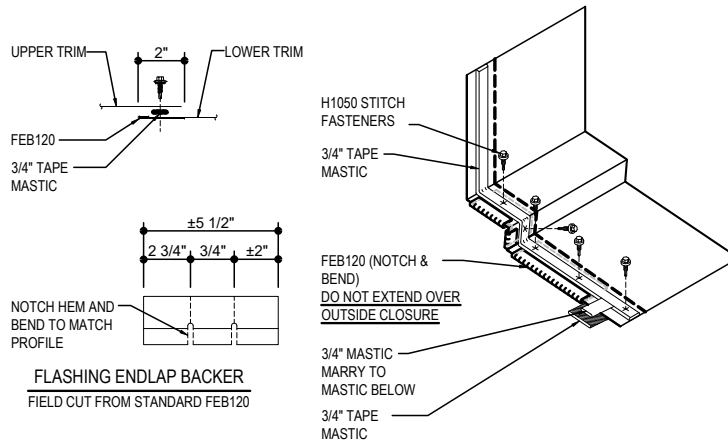
- 1) N/A

## EI3670 - NON-STRUCTURAL PARAPET - IMP

[Download the DWG file by clicking here.](#)

### HIGH EAVE LAP & FLASHING BACKER

SLIDE FIELD CUT SECTION FLASHING ENDLAP BACKER ONTO THE LOWER TRIM PIECE. PLACE TAPE MASTIC NEXT TO HEM OF THE BACKER (NOT ON TOP OF HEM). APPLY CONTINUOUS BEAD OF CAULK 1" FROM END OF TRIM DOWN PROFILE OF TRIM. FASTEN LAP WITH STITCH FASTENERS AND POP RIVETS AS SHOWN.



### HIGH EAVE NON-STRUCTURAL PARAPET

HIGH EAVE NON-STRUCTURAL PARAPET DETAIL w/ WALL PANEL  
SEE WALL SHEETING ERECTION NOTES FOR WALL PANEL FASTENER LOCATIONS

**EI3670**

#### Detailer Notes:

- 1) N/A